
A

SECTION ACC

ACC

C

ACCELERATOR CONTROL SYSTEM

CONTENTS

PRECAUTION 2		
PRECAUTIONS 2	Removal and Installation 3	F
Precaution for Supplemental Restraint System (SRS) "AIR BAG" and "SEAT BELT PRE-TENSIONER" 2	Inspection 3	
REMOVAL AND INSTALLATION 3	SERVICE DATA AND SPECIFICATIONS (SDS) 5	G
ACCELERATOR CONTROL SYSTEM 3	SERVICE DATA AND SPECIFICATIONS (SDS) 5	H
Exploded View 3	Accelerator Control 5	I

PRECAUTIONS

< PRECAUTION >

PRECAUTION

PRECAUTIONS

Precaution for Supplemental Restraint System (SRS) "AIR BAG" and "SEAT BELT PRE-TENSIONER"

INFOID:000000012432475

The Supplemental Restraint System such as "AIR BAG" and "SEAT BELT PRE-TENSIONER", used along with a front seat belt, helps to reduce the risk or severity of injury to the driver and front passenger for certain types of collision. Information necessary to service the system safely is included in the SR and SB section of this Service Manual.

WARNING:

- To avoid rendering the SRS inoperative, which could increase the risk of personal injury or death in the event of a collision which would result in air bag inflation, all maintenance must be performed by an authorized NISSAN/INFINITI dealer.
- Improper maintenance, including incorrect removal and installation of the SRS, can lead to personal injury caused by unintentional activation of the system. For removal of Spiral Cable and Air Bag Module, see the SR section.
- Do not use electrical test equipment on any circuit related to the SRS unless instructed to in this Service Manual. SRS wiring harnesses can be identified by yellow and/or orange harnesses or harness connectors.

PRECAUTIONS WHEN USING POWER TOOLS (AIR OR ELECTRIC) AND HAMMERS

WARNING:

- When working near the Airbag Diagnosis Sensor Unit or other Airbag System sensors with the Ignition ON or engine running, DO NOT use air or electric power tools or strike near the sensor(s) with a hammer. Heavy vibration could activate the sensor(s) and deploy the air bag(s), possibly causing serious injury.
- When using air or electric power tools or hammers, always switch the Ignition OFF, disconnect the battery and wait at least three minutes before performing any service.

ACCELERATOR CONTROL SYSTEM

< REMOVAL AND INSTALLATION >

REMOVAL AND INSTALLATION

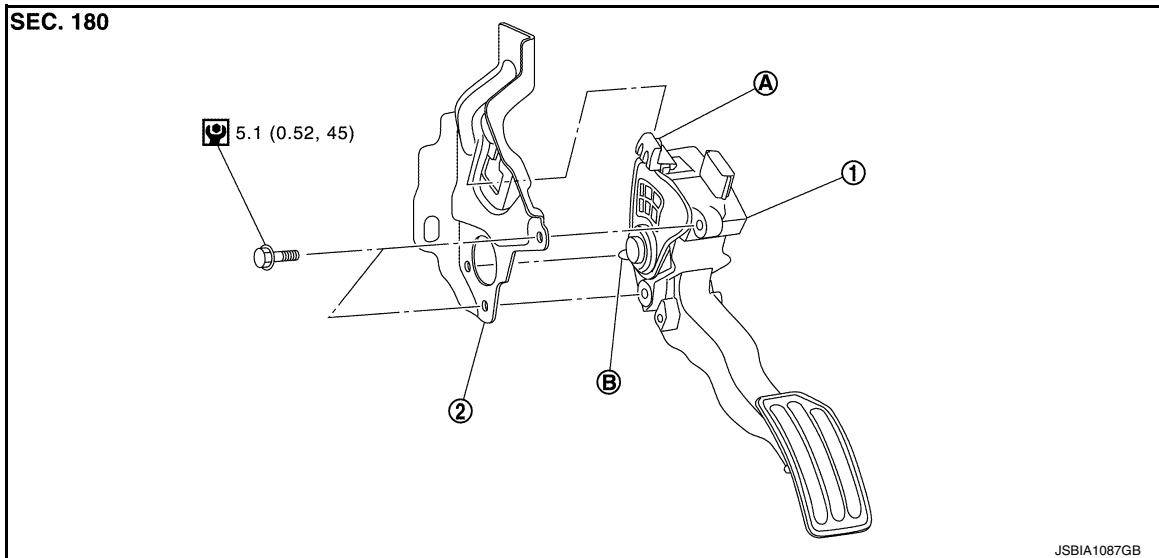
ACCELERATOR CONTROL SYSTEM

Exploded View

INFOID:0000000012432476

A

ACC



1. Accelerator pedal

2. Brake pedal bracket

A. Locating hook

B. Locating pin

Removal and Installation

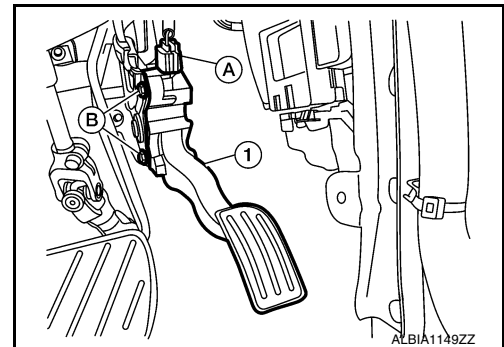
INFOID:0000000012432477

REMOVAL

1. Disconnect harness connector (A) from the accelerator pedal.
2. Remove bolts (B) and accelerator pedal (1).

CAUTION:

- Do not disassemble accelerator pedal.
- Do not drop or impact accelerator pedal.
- Do not expose accelerator pedal to water.



INSTALLATION

Installation is in the reverse order of removal.

NOTE:

- Insert locating pin into brake pedal bracket to position accelerator pedal.
- Perform accelerator pedal inspection. Refer to [ACC-3, "Inspection"](#).

Inspection

INFOID:0000000012432478

INSPECTION AFTER INSTALLATION

C

D

E

F

G

H

I

J

K

L

M

N

O

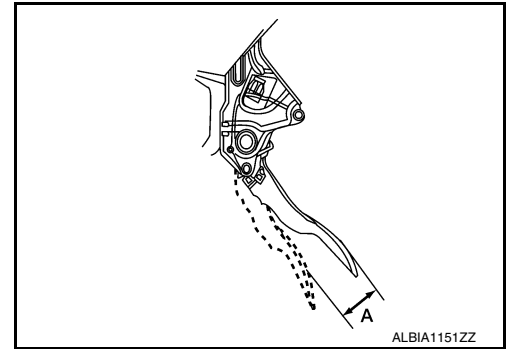
P

ACCELERATOR CONTROL SYSTEM

< REMOVAL AND INSTALLATION >

- Check that the accelerator pedal moves smoothly within the specified range.

Accelerator pedal stroke (A) : Refer to [ACC-5, "Accelerator Control"](#).



- Check the accelerator pedal height.

Accelerator pedal height : Refer to [ACC-5, "Accelerator Control"](#).

CAUTION:

- Whenever the harness connector of the accelerator pedal position sensor has been disconnected, perform "ACCELERATOR PEDAL RELEASED POSITION LEARNING". Refer to [EC-128, "Work Procedure"](#).
- The accelerator pedal should return smoothly to the fully released position.

SERVICE DATA AND SPECIFICATIONS (SDS)

< SERVICE DATA AND SPECIFICATIONS (SDS)

SERVICE DATA AND SPECIFICATIONS (SDS)

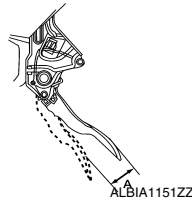
SERVICE DATA AND SPECIFICATIONS (SDS)

Accelerator Control

INFOID:0000000012432479

ACC

Unit: mm (in)



Accelerator pedal stroke (A)	49.8 - 52.6 (1.96 - 2.07)
Accelerator pedal height	113.0 - 123.0 (4.45 - 4.84)